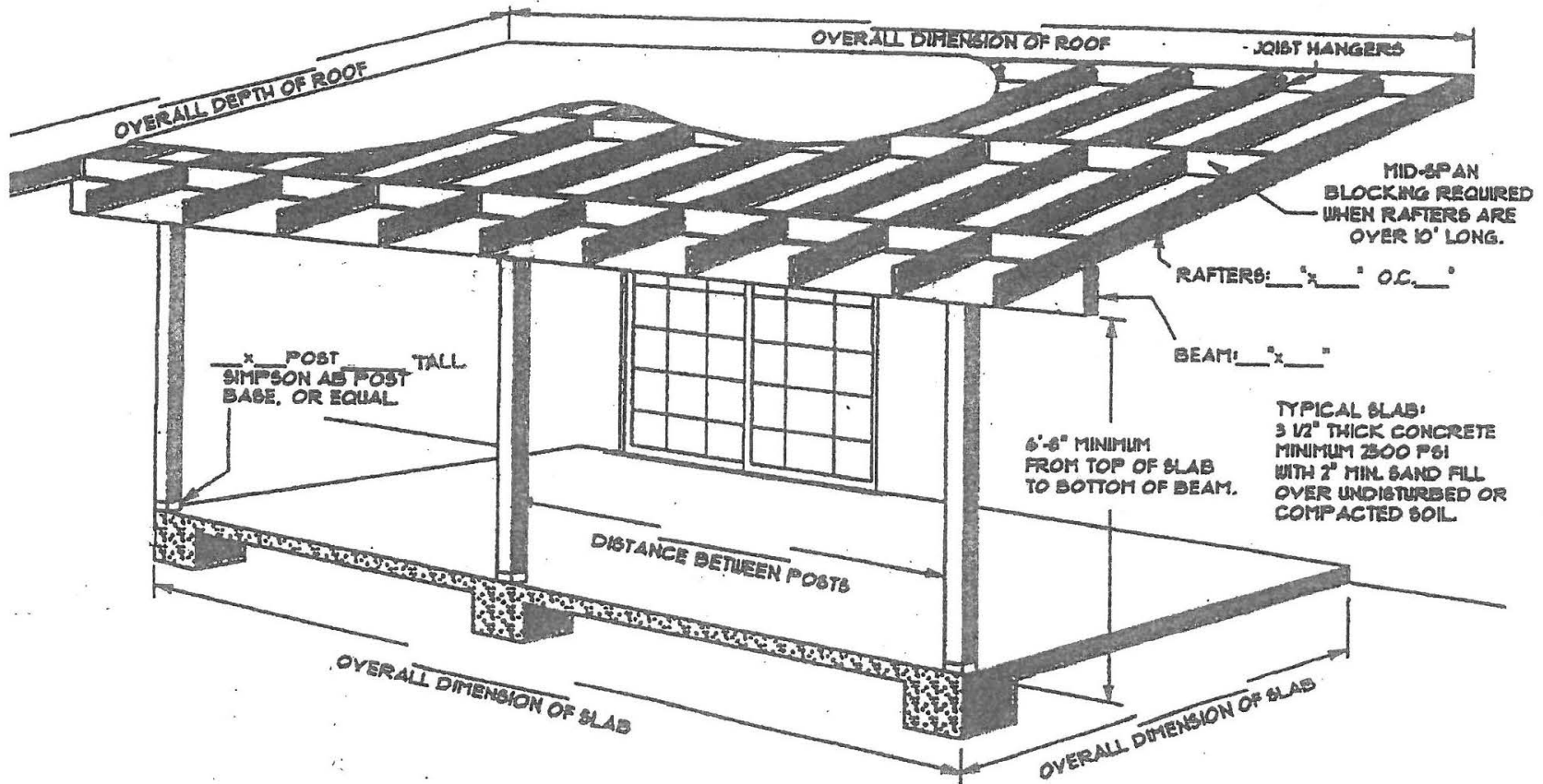




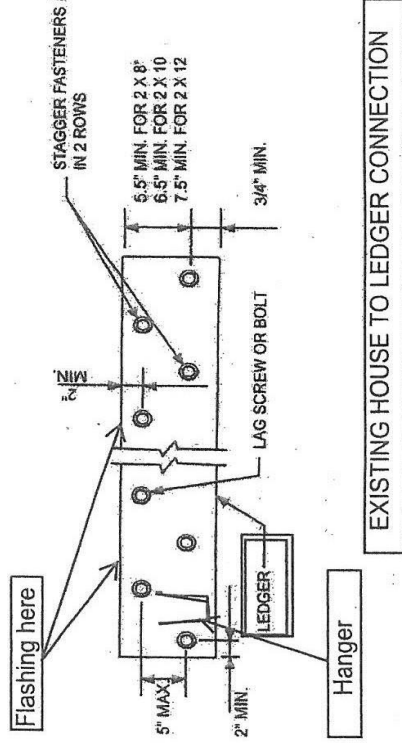
PATIO COVERS

RAFTER TAIL ATTACHMENTS NOT ALLOWED



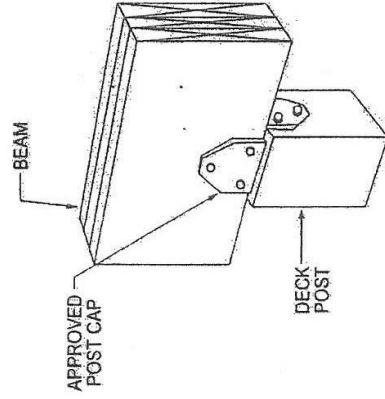
EXPOSED WOOD OR WOOD IN CONTACT WITH SOIL OR CONCRETE SHALL BE PRESSURE-PRESERVATIVE TREATED. R317.1

SEE REVERSE SIDE →



LEDGER CONNECTION WITH GALVANIZED FASTENERS TO EXISTING HOUSE

MINIMUM END AND EDGE DISTANCES AND SPACING BETWEEN ROWS			
	TOP EDGE	BOTTOM EDGE	ENDS
Ledger ^a	2 inches ^d	3/4 inch	2 inches ^b
Band Joist ^c	3/4 inch	2 inches	2 inches ^b
			ROW SPACING
			1 7/8 inches ^b
			1 1/2 inches ^b



PATIO AND DECK POST	
SIZE	MAXIMUM HEIGHT
4 x 4	8'
4 x 6	8'
6 x 6	14'

POST TO BEAM CONNECTION

