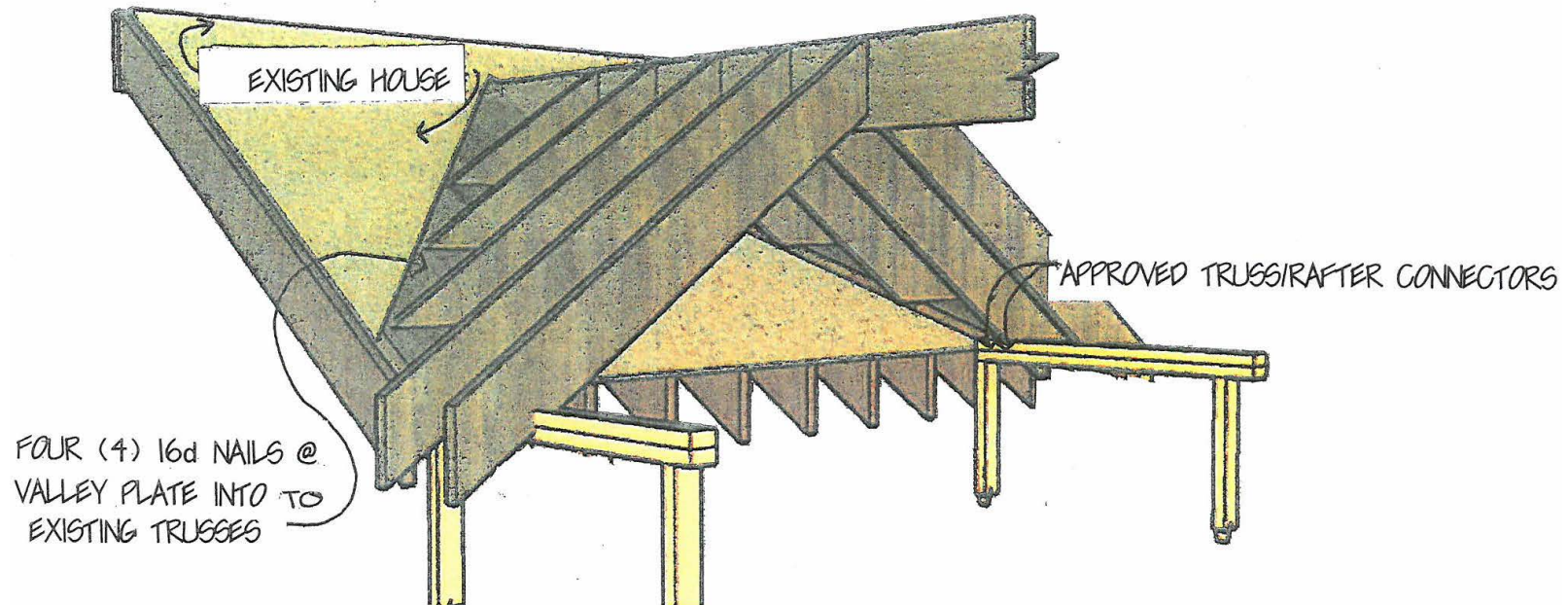




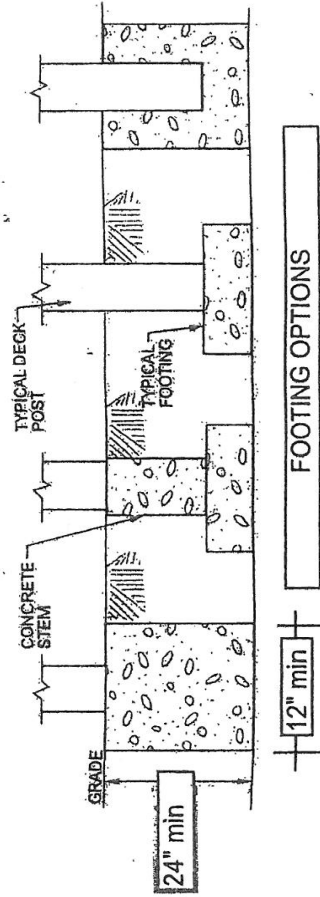
OVERFRAME PATIO COVERS



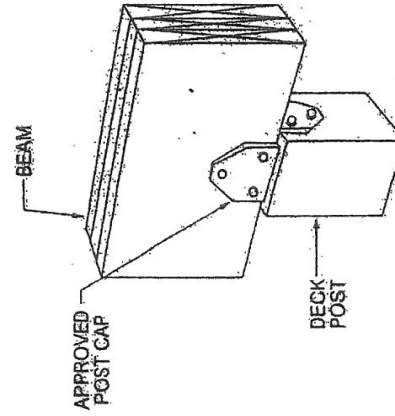
EXPOSED WOOD OR WOOD IN CONTACT WITH SOIL OR CONCRETE SHALL BE PRESSURE-PRESERVATIVE TREATED. R317.1

SEE REVERSE SIDE →

RAFTER SIZE _____ X _____
 RAFTER SPAN _____
 RAFTER SPACING _____
 SUPPORT BEAM SIZE _____
 SUPPORT BEAM SPAN _____



EXPOSED WOOD OR WOOD IN CONTACT WITH SOIL OR CONCRETE SHALL BE PRESSURE-PRESERVATIVE TREATED. R317.1



POST TO BEAM CONNECTION

PATIO AND DECK POST	
SIZE	MAXIMUM HEIGHT
4" x 4"	8'
4" x 6"	8'
6" x 6"	14'